

# PATENT ABSTRACTS OF JAPAN

(11)Publication number : 2001-333346

(43)Date of publication of application : 30.11.2001

(51)Int.Cl.

H04N 5/45  
H04N 5/265  
H04N 5/44

(21)Application number : 2000-150523

(71)Applicant : MATSUSHITA ELECTRIC IND CO LTD

(22)Date of filing : 22.05.2000

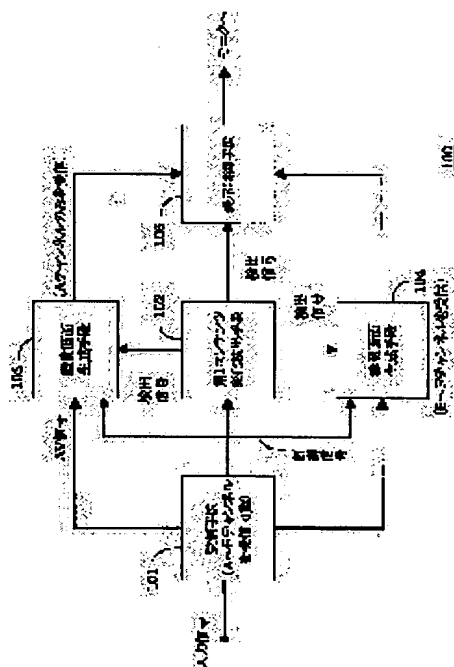
(72)Inventor : ODA AKIHIRO

## (54) MULTI-SCREEN DISPLAY DEVICE, MEDIUM AND INFORMATION AGGREGATE

(57)Abstract:

**PROBLEM TO BE SOLVED:** To solve the problem of a viewer not being able to satisfactorily check the channels other than his/her watching one when the viewer checks other channels while the watching channel is interrupted by a commercial message, etc., or the viewer being overlooking partly his/her watching program when the commercial message is over during the channel checking with the conventional image receiver.

**SOLUTION:** This multi-screen display device 100 is provided at least with an appreciation screen generation means 103 which generates an appreciation screen where a single or plural channels are gathered together into a single or plural screens, a reference screen generation means 104 which generates a reference screen where the hole or some of plural rear channels are gathered together into plural screens, a display control means 105 which displays the appreciation screen and/or reference screen and a 1st contents change detection means 102 which detects the first change showing the change from the contents displayed on the appreciation screen to the 2nd contents which are previously set when the former contents are changed to the latter 2nd contents.



## LEGAL STATUS

[Date of request for examination]

[Date of sending the examiner's decision of rejection]

[Kind of final disposal of application other than the examiner's decision of rejection or application converted registration]

[Date of final disposal for application]

[Patent number]

[Date of registration]

[Number of appeal against examiner's decision  
of rejection]

[Date of requesting appeal against examiner's  
decision of rejection]

[Date of extinction of right]

Copyright (C); 1998,2003 Japan Patent Office